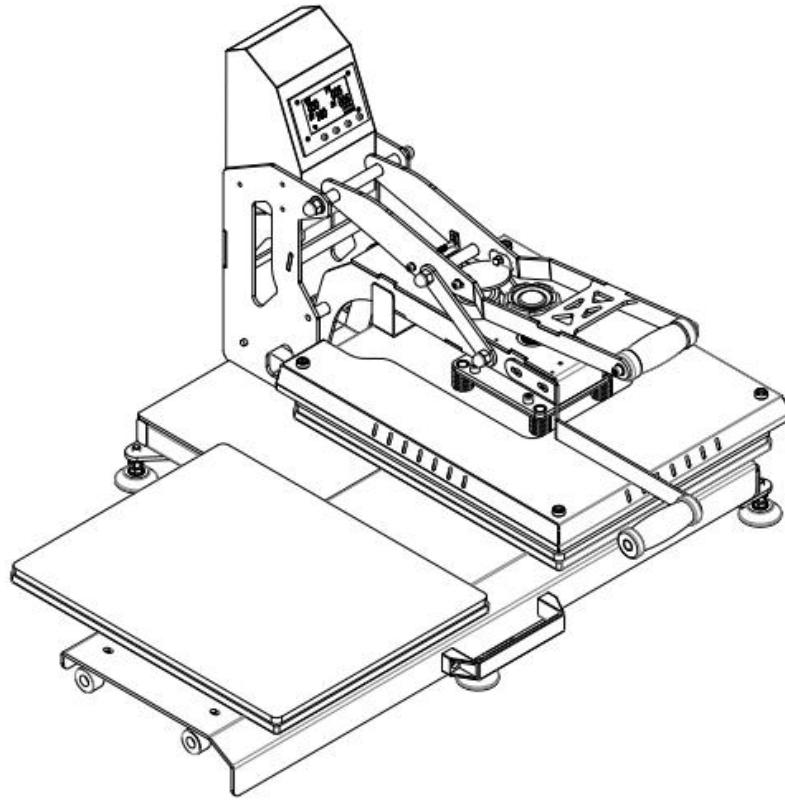


TC Auto Open Heat Press with Double Stations Manual

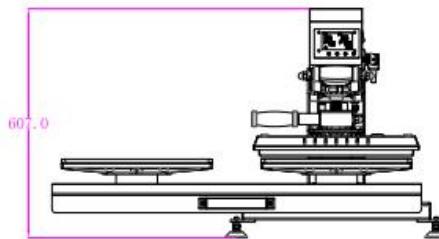
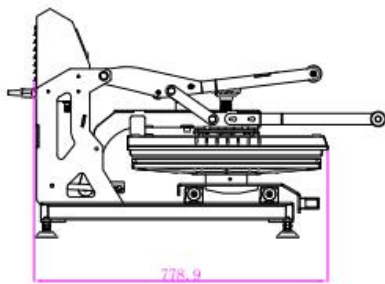
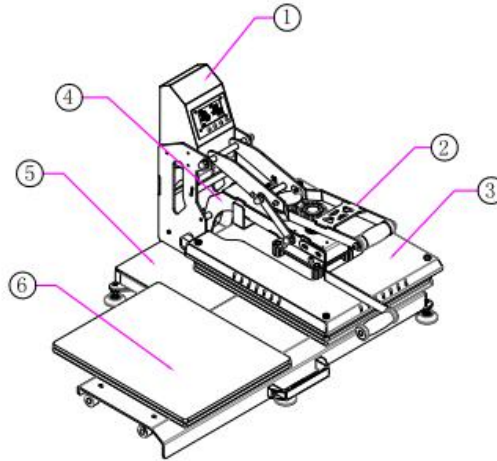
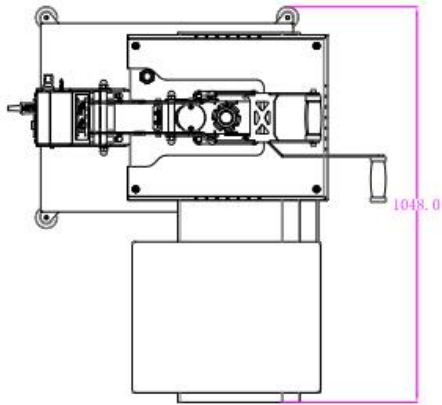
Model No.: TC-20A



CONTENTS

I. Assembly Drawing -----	2
II. Technical Parameters -----	2
III. Operation process -----	3
IV. Maintenance -----	6
V. Trouble shooting for transfer print quality -----	7
VI. Circuit Diagram-----	8
VII..Explosion View-----	9

I. Assembly Drawing



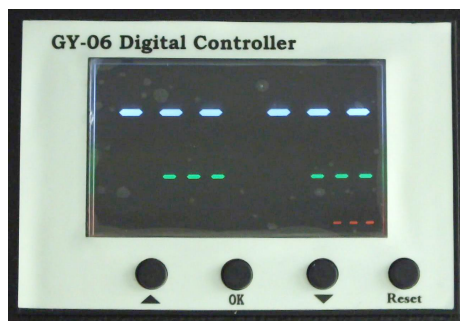
- ① Electrical Case
- ② Handle
- ③ Heat platen
- ④ Crane
- ⑤ Base
- ⑥ Exchangeable Under platen

II. Technical Parameters

- 1. **Model No.:** TC-20A
- 2. **Machine Size:** 1084*778.9*607mm
- 3. **Printable Articles Max Size:** 400*500*10mm
- 4. **Voltage:** 220v/1Phase or 120v/1Phase
- 5. **Power:** 1.8kw
- 6. **Recommend Setting:**
 - Time Range: 0~999s
 - Time: 30~280s; Temperature: 180~210°C


III. Operation Process

1. Set temperature required




Turn on power switch, temperature light is ON. The digital display shows as above.



Press **OK** button, the  light is on (C denotes Celsius). Press arrows "△" or "▽" to select "°C" or "°F" (F denotes Fahrenheit) according to your habits.

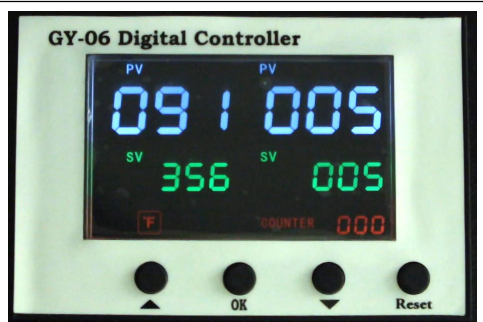


Press **OK** button, the temp  light is on. Select with arrows the temperature according to different transfer material (Normally 180°C~200°C)
SV: Set temperature
PV: Current temperature

2. Set time required





Press **OK** button after temperature setting and the time light is on. Select with arrows the time according to different transfer material.
SV: Set temperature
PV: Current temperature



Press **OK** button to operating mode. Counter is "transfer cycle", from 0~999. Press "Reset" for 5 seconds to make the counter to be "0".

Kindly take NOTE:

- 1) The P-1 mode is Temperature Difference Calibration Model.
- 2) The P-2 mode is Heating Mode Setting

	
<p>When there is temperature difference between SV (current heating temperature shows on the display screen) and actual Temp of heat platen, please long press button for 5 seconds to enter the P-1 mode to calibrate.</p> <p>For example: When set 200°C, during the heating process, if you find the current heating temperature display shows is 180°C, but the measured actual temperature of heat platen is 170 °C, then please enter P-1 mode and press arrows “▽” to decrease 10°C(adjust the display’ Temp value to be same with the actual Temp value.) Then after adjust, the display will be 170°C. and then the machines will keep heating to 200°C:</p>	<p>We already preset it to 003 before shipment. That is to say, if your setting temperature is 200°C, it will slow down the heating speed when it heats up to 197°C for a safe purpose.</p> <p>The suggest value of P-2 mode is 3° C~5° C. If you want to reset the value, long please press button for 5 seconds to P-1 mode, and then press button again to enter into the P-2 mode, and then press arrows “△” or “▽” to set the value you need</p>

3. Printing methods

- Step 1:** Make sure the cord is connected well to the wall socket. Place the object (i.e. T-shirt) on press bed, and transfer paper with images facing down the object, adjust pressure to your requirement, and start the machine.
- Step 2:** Set the temperature and time required, then temperature starts to rise.
- Step 3:** When the temperature rises to the setting temperature, the buzzer sends out sounds; then close down heat platen (meantime the sounds stop) and starts to transfer.
- Step 4:** Then the time counter is on, once time is up, the upper heat platen will auto open and swing away to another side automatically.
- Step5:** Consult the Transfer Paper instructions on whether to peel cold or hot, Here are suggested Pressing time guidelines for different transfer paper.

- Ink-Jet Transfer Paper (fabric) 14-18 seconds
- Laser Copier/Printer Transfer Paper (fabric) 18-25 seconds
- Sublimation Transfers (onto Fabrics) 25-30 seconds
- Sublimation Transfers (onto FR-Plastic/Woods) 60-70 seconds

5. Recommendations:

1) Ceramic tile transfer: (Mugs & Plates transfer is similar)

Set temperature: 180°C .

Set time: 15 seconds


2) T-shirt transfer:

Set temperature: 180°C .

Set time: (chemical fiber use for sublimation transfer paper: 30-50seconds; pure cotton use for T-shirt transfer paper: 10-20seconds)

step 6: When the temperature rises to the set temperature, the buzzer sends out a sound; then close down heat platen(meantime the sounds stop) and starts to transfer.

step 7: Time is counting down; once time is up,the buzzer will send out a sound again, the heat platen will open automatically (meantime the sounds stop).

Step 8: Work finish and take out the cap. If you want to print on another cap, press  button and confirm the time and temperature set as last time, then repeat above process.

NOTE:

1) Please switch off the machine and unplug the power cord when the machine is not in use.

2) The heat platen will cool down to the room temperature, if heat press stays un-use for more than 30 minutes.

3) The heat-releasing fan will automatically starts when the temperature of heat platen reaches 80 degree C (176 degree F). It helps to reduce the temperature of electrical parts and prolong the service life of them.

4) For better maintenance of heat press, the maximum setting temperature is 210 degrees C (410 degrees F).

5) To avoid re-heating the first transfer when printing double sided T-Shirts, insert a sheet of cardboard in between the shirt, adjust the height to less pressure, then press.

6) Heat platen may pivot slightly back and forth rotationally. This is due to movement allowance within the clamp assembly, and is normal.

IV. Maintenance

1. No action after turn on the machine

- 1). Check the plug whether it connects well or whether it is broken.
- 2). Check the power switch or digital controller whether it is broken.
- 3). Check the fuse whether it has been burnt out.
- 4). Indicating light is on, but no display on screen, check the 5 cable of Railway transformer. If it's loosening, showing the problem is poor connection. If they connects well, showing that the Transformer is faulty.

2. The display screen are working well, but no temperature increasing on the heat platen.

- 1). Check whether the thermocouple of the heat platen touches well. If the thermocouple is loose, the display will show 255 and machine keeps beeping.
- 2). Check if the indicating light of solid-state relay is on, if not, check if the relay or digital controller is broken.
- 3). If you already changed the new solid-state relay but the heat platen still can't heating up, check if the heat platen is faulty or the heat platen's power cable is loose, need to change by new heat platen.

3. The heat platen works well, but suddenly the display screen show 255°C.

- 1). Check whether the thermocouple of the heat platen touches well.
- 2). If the thermocouple touches well but still show 255°C, then it is faulty.

4. The machine is heating during 0~180°C, but display number jumps to above 200°C or 300°C suddenly, or the numbers on display jumps irregularly.

- 1). Check whether the thermocouple of the heat platen touches well.
- 2). If the thermocouple is good, It shows that the program of digital controller is broken, which namely IC or is broken, need to change by new controller.

5. The temperature is out of control: Set 180°C, but the actual temperature is above 200°C.

- 1). It means the solid-state relay is broken, out of control, need to change the relay.
- 2). Or the digital controller is faulty and it keeps conveying electric to relay, need to change controller.

6. The setting temp and time becomes abnormal after exchange the heat platen

- 1). Please reset the temp and time according the operation process manual.

7. Other notice

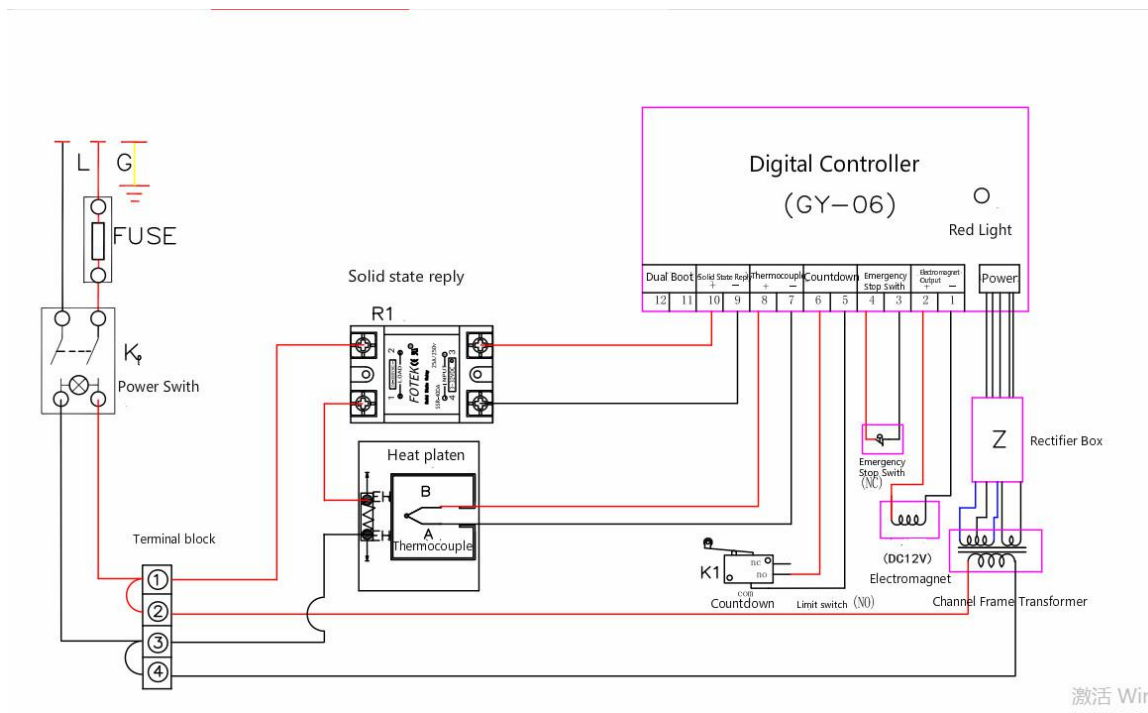
- 1). In order to prolong the machine service life, please add the lubrication oil regularly on the joints.
- 2) Please turn of the power when changing the spare parts. And reset the time and temperature on the digital controller GY-06 after the replacement.
- 3) In order to keep the heat platen's good transfer effect, please keep the spare parts well after the replacement and avoid any damage for the heat platen.
- 4). Please keep the machine in dry place.
- 5). If you are not able to solve the electrical parts problem, please kindly contact the supplier and get technical support.

V. Trouble shooting for transfer print quality

1. If the time/temperature setting is not correct after exchanging the heat platen: reset the time and temperature according to the manual.
2. If the print color is pale: increase the time for transfer/ raise the setting temperature.
3. If the print color is too brown or the transfer paper is almost burnt: reduce the setting temperature

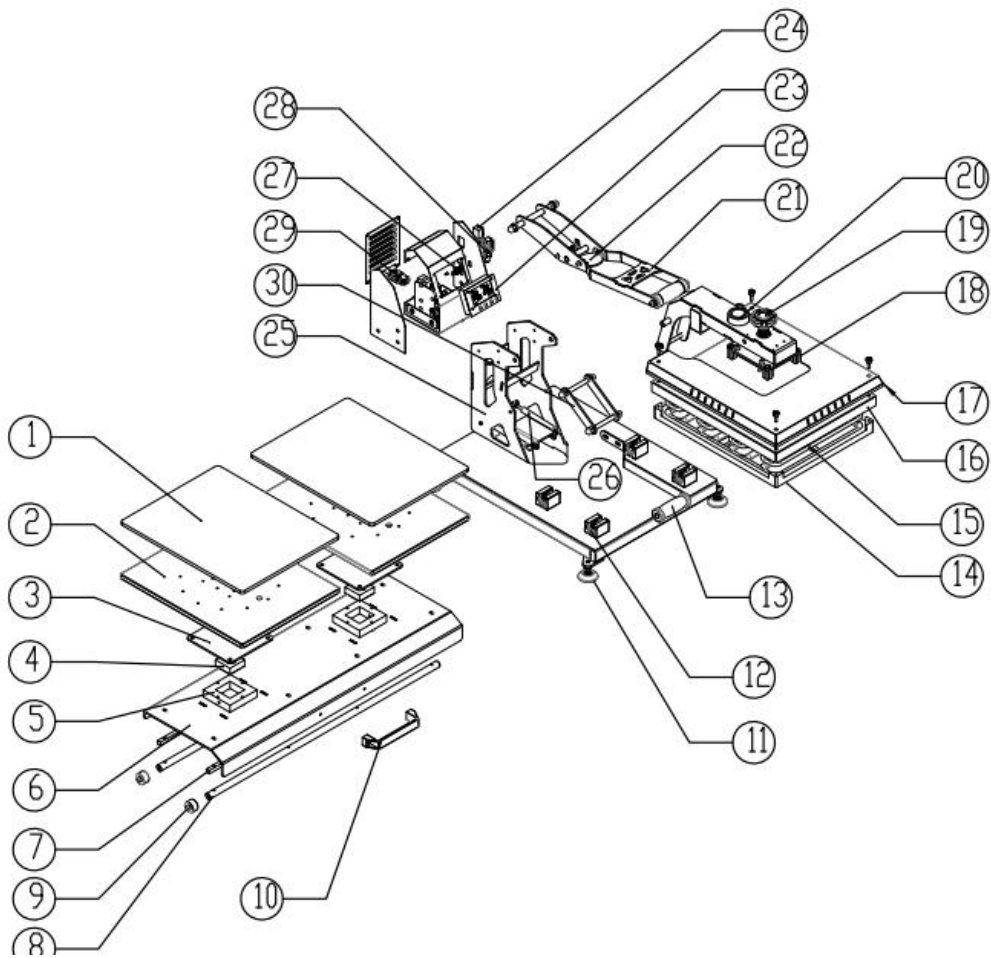
4. If print color is different/ partial transfer effect is not good enough: adjust the temperature for heat platen accordingly.
5. If any electrical parts problems are found during the operation, please kindly contact the supplier for technical support soon.

VI.Circuit Diagram



激活 Wine

VII. Explosion View



Serial No.	Part Name	Qty	Serial No.	Part Name	Qty
1	Silicon pad	2	17	Anti-scald Protect Cover	1
2	Basis Plate	2	18	Spring	4
3	Adapter plate	2	19	Pressure Adjust Knob	1
4	Bottom plate fixing block	2	20	Electromagnet	1
5	Bottom plate fixing block 1	2	21	Handle frame	1
6	Movable bottom plate	1	22	Electromagnet suction plate	1
7	Pad aluminum strip	2	23	Digital controller	1
8	guide	2	24	Power Switch	1
9	Limit excellent glue	4	25	Machine frame	1
10	Handle	1	26	Gas spring	2
11	Machine foot	4	27	Male and female plug	1
12	Opening slider	4	28	Male and female socket	1
13	EVA handle cover	2	29	power cable	1
14	Heat platen	1	30	Connecting piece	2
15	Heating pipe	1			
16	Heat Platen Metal Cover	1			